

TRACTOR/TRAILER APPLICATIONS

Sensor With 90° Ends

- Supplied With Clip



Part Number	Part Description
AL10271914	Length: 1.6 Ft (0.5m)
AL364068	Length: 4.0 Ft (1.25m)
AL364061	Length: 4.9 Ft (1.5m)
AL364069	Length: 5.0 Ft (1.75m)
AL10271915	Length: 6.6 Ft (2.0m)
AL364070	Length: 7.0 Ft (2.25m)
AL364062	Length: 8.2 Ft (2.5m)
AL364071	Length: 9.0 Ft (3.0m)
AL364063	Length: 11.5 Ft (3.5m)
AL364053	Length: 13.1 Ft (4.0m)

Sensor With Straight Ends

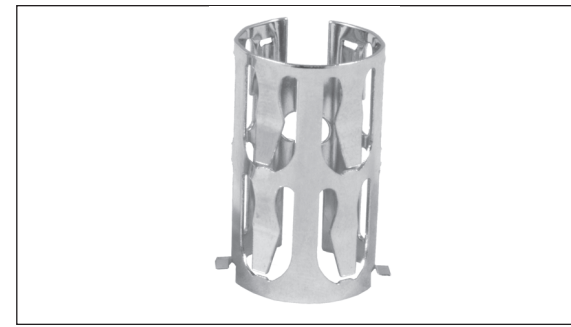
- Supplied With Clip



Part Number	Part Description
AL1027196	Length: 1.6 Ft (0.5m)
AL1027197	Length: 6.6 Ft (2.0m)
AL1027198	Length: 13.1 Ft (4m)

Sensor Retainer Clip

- Use Only With Haldex Sensors



A59512309

Sensor Extension



Part Number	Part Description
AL919800	Length: 1.6 Ft (0.5m)
AL919801	Length: 3.3 Ft (1.0m)
AL919802	Length: 4.9 Ft (1.5m)
AL919803	Length: 6.6 Ft (2.0m)
AL919804	Length: 8.2 Ft (2.5m)
AL919805	Length: 9.8 Ft (3.0m)
AL919806	Length: 11.5 Ft (3.5m)
AL919807	Length: 13.1 Ft (4.0m)
AL919808	Length: 16.4 Ft (5.0m)
AL919809	Length: 19.7 Ft (6.0m)
AL919810	Length: 26.2 Ft (8.0m)
AL919811	Length: 32.8 Ft (10.0m)

TRAILER APPLICATIONS

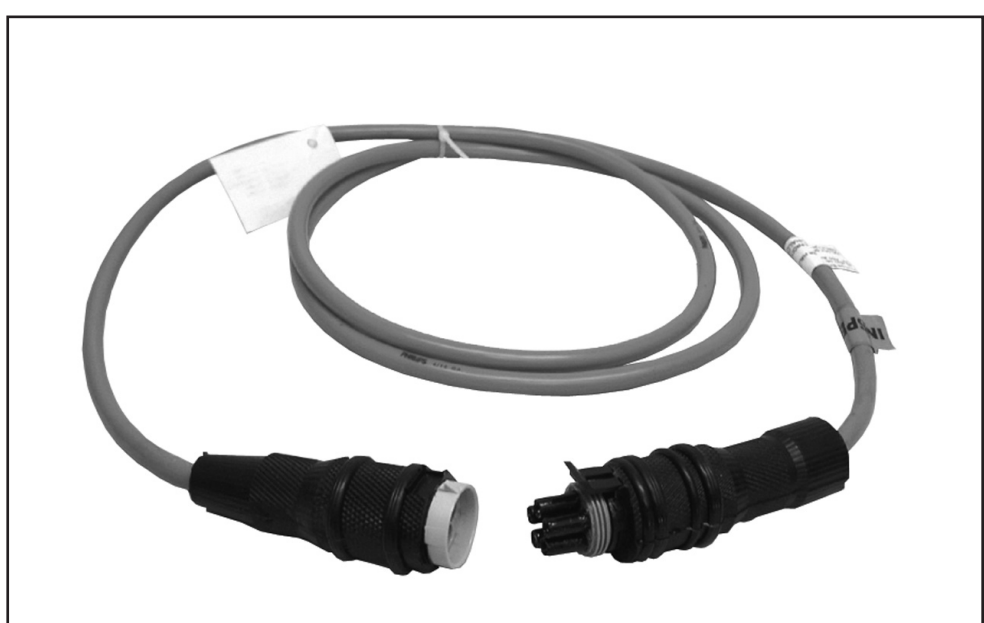
Power Cords

- Use With 2000 And Newer Trailers



Part Number	Part Description	Length	Lamp Lead
AL918602		65.7 Ft (20.0m)	39.4 Ft (12.0m)
AL918603		39.4 Ft (12.0m)	26.2 Ft (8.0m)
AL918604		52.5 Ft (16.0m)	26.2 Ft (8.0m)
AL918605		59.1 Ft (18.0m)	39.4 Ft (12.0m)
AL918606		16.0 Ft (5.0m)	10.0 Ft (3.0m)

Power Cord Extensions



Part Number	Part Description
AL919900	Length: 6.6 Ft (2.0m)
AL919901	Length: 13.1 Ft (4.0m)
AL919902	Length: 19.7 Ft (6.0m)
AL919903	Length: 3.0 Ft (1.0m)
AL919904	Length: 1.0 Ft (.3m)

ABS Indicator Lamp

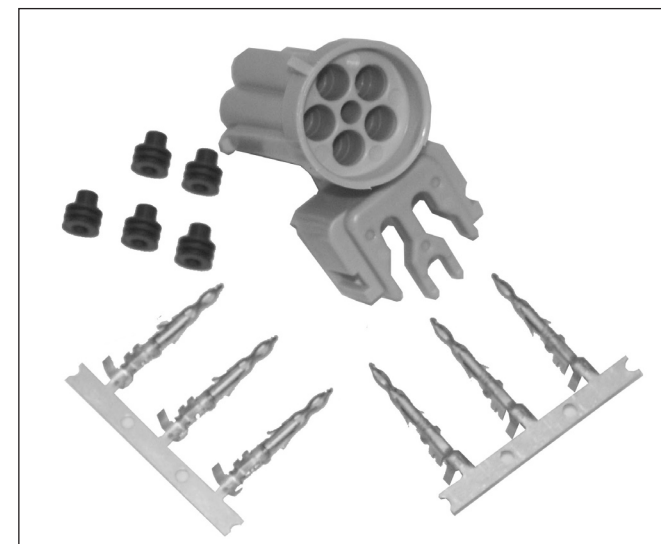


Part Number	Part Description
AQ15463	Bracket, Lamp, 6" Lead
A1017316	Round Indicator Lamp
A920805	Bracket For Round Indicator Lamp

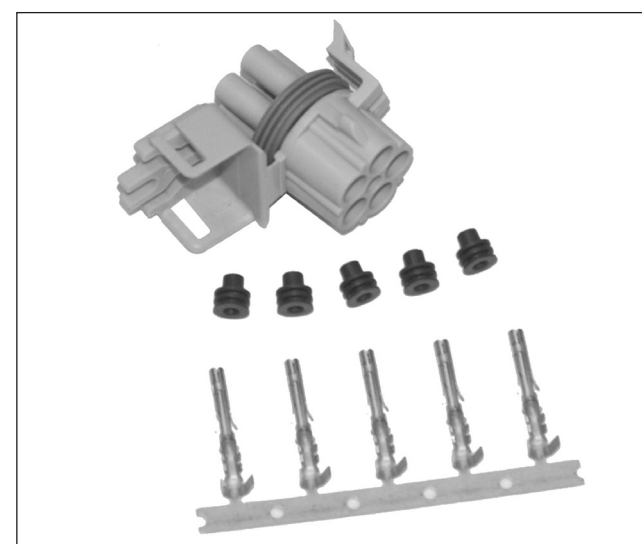
5-Way Terminal Kits for Power Cord And Loom Assemblies

- Power Cord End Kit

- Loom Assembly End Kit



AQ15473



AQ15474

Wheel End Parts

- Wheel End Kit With Block And Sensor (Length: 6.6 Feet)



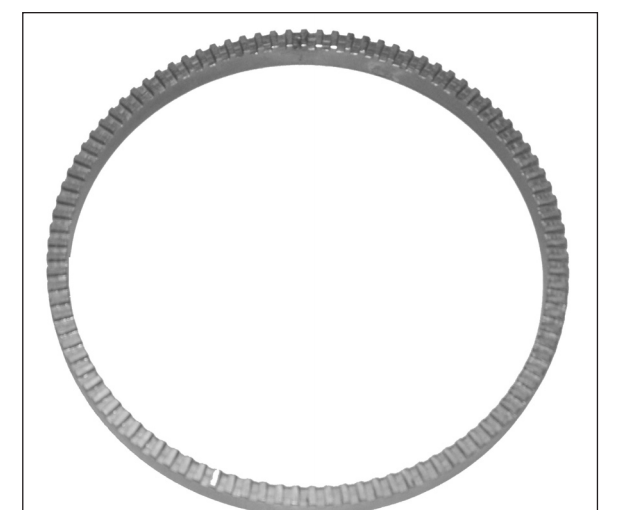
AQ40213

- Universal Trailer Sensor Block



A920802

- 100 Tooth Trailer Exciter Ring



A2020109

MISCELLANEOUS CLIPS & RETAINERS

Sensor/Lead Retainer



A902700

Sensor To 1/2" I.D. Hose



A902701

Sensor To 3/8" I.D. Hose



A902702

Fits 3/8" or 1/2" Hose (fits approx. .125" O.D. Wire)



AL920809

Fits 3/8" or 1/2" Hose (fits approx. .090" O.D. Wire)



AL920810

UNIVERSAL 2S/1M RELAY VALVE REPLACEMENT KITS

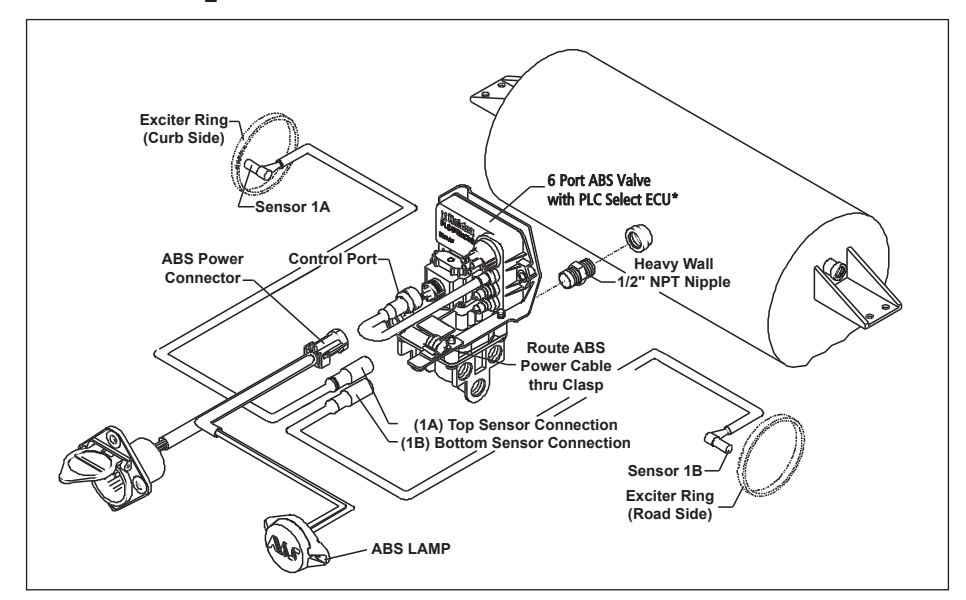
Ask your counter salesperson for complete details!



Part Number	Part Description
AQ960503	Multi-Axle/Includes Sensor Extensions
AQ960505	Dollies/Includes Sensor Extensions
AQ960510	Multi-Axle/Includes Sensor Extensions
AQ960514	MBS1/MBS1P/MBS2/Includes 2.5m Sensors
AQ960515	Multi-Axle/Includes 2.5m Sensors

All-Makes 2S/1M Trailer Replacement Kits

Haldex has packaged its advanced PLC Select ABS 2S/1M Modulator System with the components most often needed to upgrade competitive systems with a single kit. Use this kit to replace any multiple axle 2S/1M ABS trailer system that controls the spring brakes with a separate valve. (Note: Replacement Kits do not replace the popular Haldex FFABS System.) Included is a simple four-page instruction guide and the PLC Service Manual to make installation quick and easy.



*Requires separate Spring Brake Control Valve.